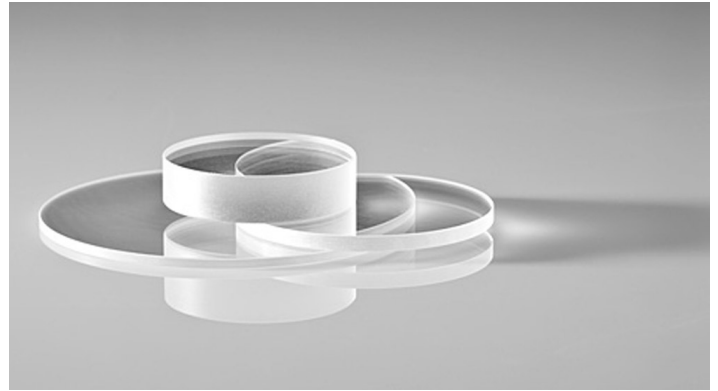


Products > Sapphire Windows > Circular Sapphire Windows > W9.35

# Circular Sapphire Windows - W9.35

## Specifications

<b>Model</b>	W9.35
<b>Diameter</b>	.3661/.3700"
<b>Thickness</b>	.1830/.1870"
<b>Material</b>	Sapphire

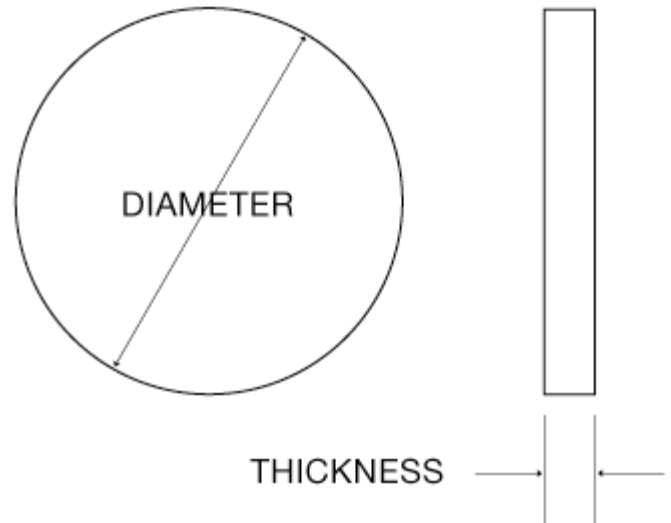


### Description

Our extensive stock list includes a wide range of diameters and thicknesses. They have standard S/D 80/50 or better and random orientation. We also offer our expertise in developing precision customized sapphire windows manufactured to your project's specifications, including orientations, surface finishes and materials.

### Typical Applications

- Gas & Air Analyzers/Monitors
- UV & IR Detectors, Endoscopes
- High Intensity Lamps
- Bar Code Readers
- Photodiodes
- View Ports



### NOT SEEING EXACTLY WHAT YOU NEED?

We specialize in creating a wide range of custom optical components and custom mechanical components including a variety of shapes - from internal holes and tapers to outer flanges, angles and surface finishes. Contact us and we will consult with you to create a custom component that meets all of your specifications.